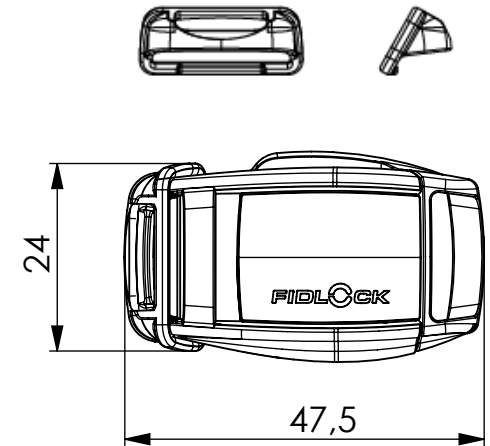
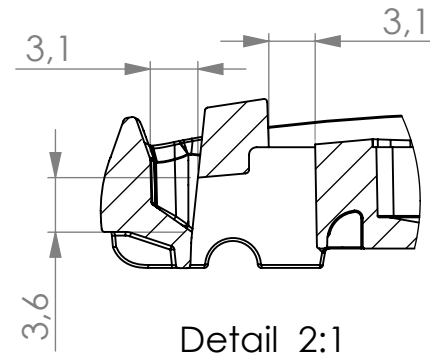
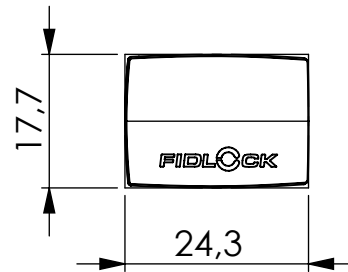
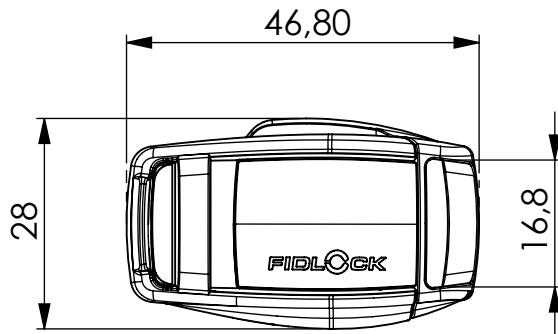


FIDLOCK®

This buckle is only designed for use with the FIDLOCK slip lock!

Safe operation is only guaranteed when the original slip lock is used.

The use of conventional O-rings can compromise the closing function and poses a safety risk.



Product	SNAP helmet buckle15 shaped broad Grivory including Slip Lock
Opening	lateral slide
Material	PA66 GF40 (Grivory) / Slip Lock Silicon
Colour	black
Weight	11,6
Load capacity	75Kg
General notes	Ladder lock for thick single layered strap

Article No	F7036
Scale	1:1
Date	01.10.2021
Author	DD

patented technology.