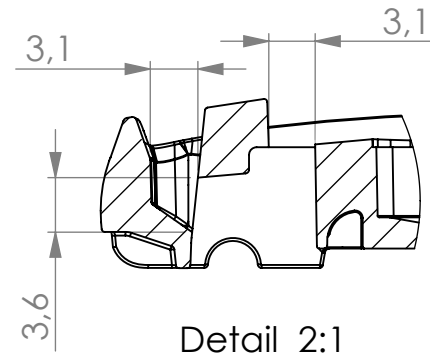
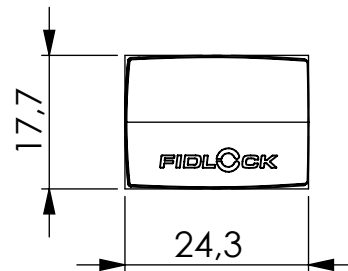
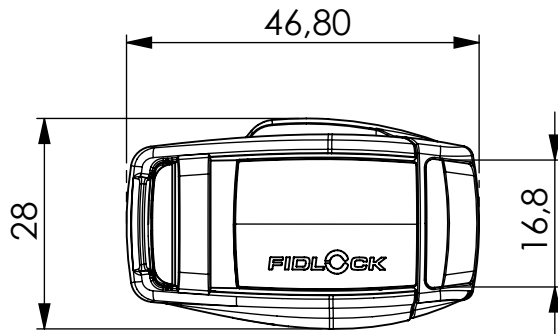


**FIDLOCK®**

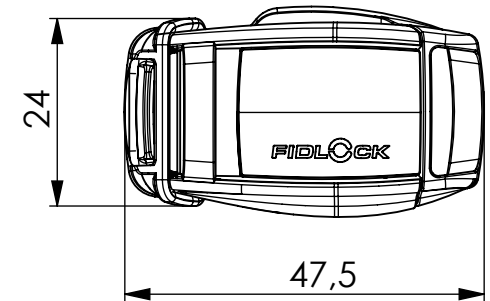
This buckle is only designed for use with the FIDLOCK slip lock!

Safe operation is only guaranteed when the original slip lock is used.

The use of conventional O-rings can compromise the closing function and poses a safety risk.



Detail 2:1



Product	SNAP helmet buckle15 shaped broad durethan including Slip Lock
Opening	lateral slide
Material	PA6-GFCF-30 ( Durethan ) / Slip Lock Silicon
Colour	black
Weight	11,6
Load capacity	65Kg
General notes	Ladder lock for thick single layered strap

Article No	F7035
Scale	1:1
Date	01.10.2021
Author	DD

patented technology.