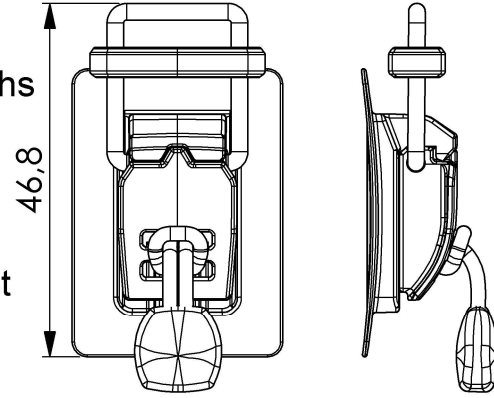
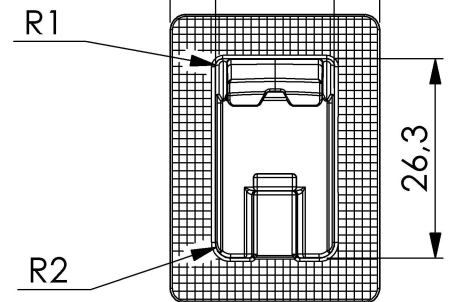
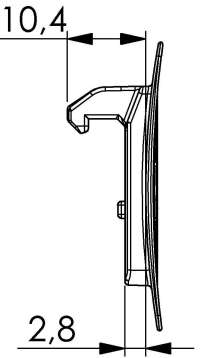
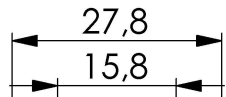
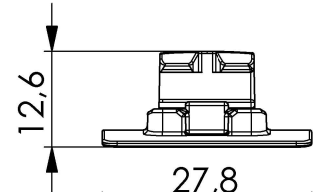
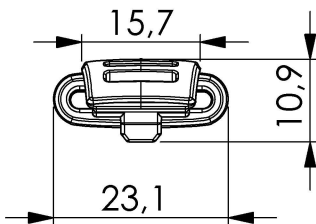


customized wire shapes and widths on request

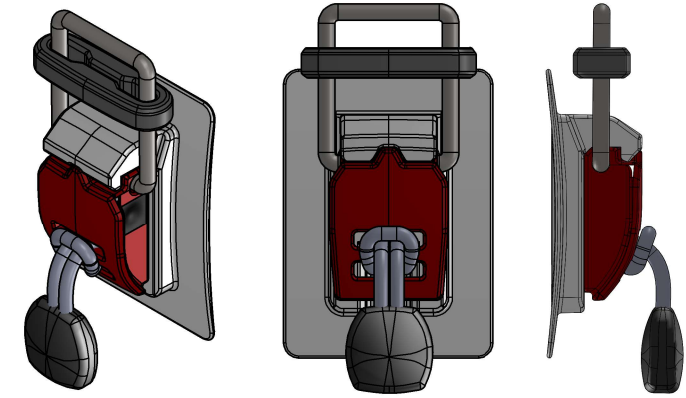
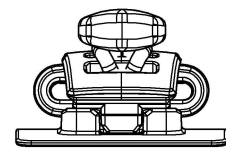
delivery without pull tab on request



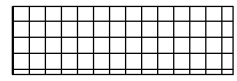
FIDLOCK®



when used as underlay max. recommended material thickness: 2,8mm



Product	Hook 15 FW sewable
Opening	lift
Material	PA6, NdFeB, Epoxy, TPU (pull tab)
Colour	black
Weight	
Load capacity	n.a.
General notes	stitchable base



possible stitching area

Proceed like stitching zipper
Use a zipper presser foot and stitch length 2-3 mm
(For securing the thread we recommend choosing a position next to the Fidlock part. Otherwise stability could be reduced.)

Article No	01266-000032(BLK)
Scale	1:1
Date	14.04.2021
Author	SO

patented technology.