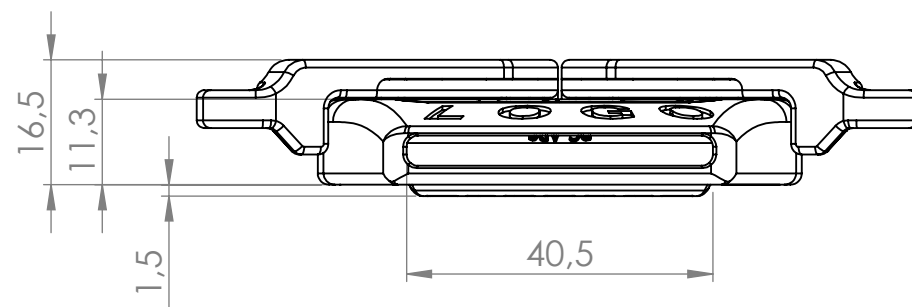
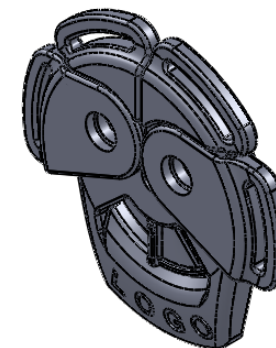


FIDLOCK®



Product	5-point lock
Opening	Push and Turn
Material	PA66GF; PC-ABS; stainless steel; steel; NdFeB
Colour	Black
Weight	59 g
Load capacity	40 kg
General notes	PC-ABS will be replaced by ABS from March`17

Article No	05175 (Single) 05176 (Double Action)
Scale	1:1
Date	21.02.2017

patented technology.