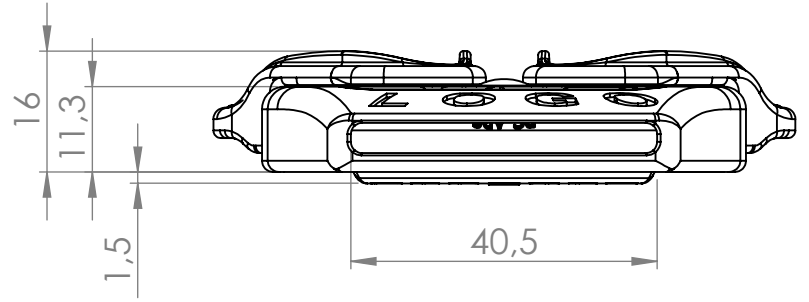
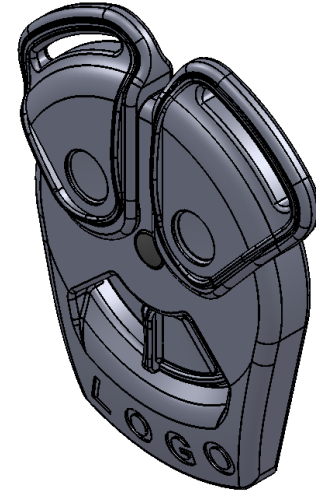


Area for Logo Placement

FIDLOCK®



Product	3-point lock
Opening	Push and Turn
Material	PA66GF; PC-ABS; stainless steel; steel; NdFeB
Colour	Black
Weight	53 g
Load capacity	40 kg
General notes	PC-ABS will be replaced by ABS from March`17

Article No	05170 (Single) 05171 (Double Action)
Scale	1:1
Date	23.12.2016

patented technology.